

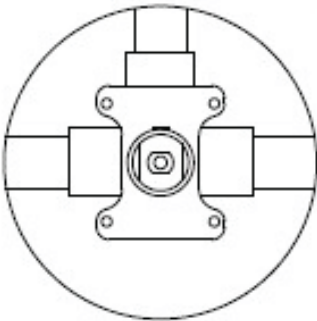
IMPORTANT : Before installing, make sure the hole in your wall is at minimum, 3-5/8" in diameter

Installation Instructions

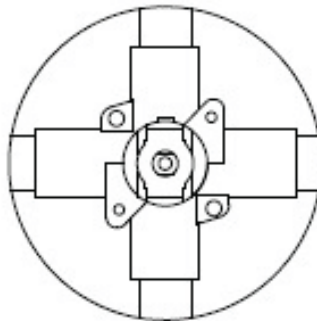
This is a universal trim kit compatible with Delta and Moen valves. **Please select the appropriate installation instructions according to the valve type you have.**

For Moen trim kits with the valve system shown below, please refer to the instructions starting on page 4.

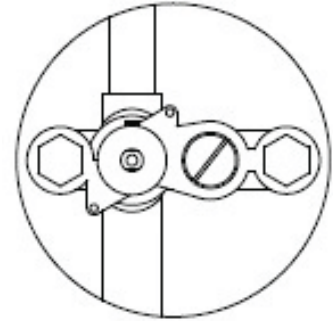
- For Moen trim kit, leave all mounting ears on Faceplate (C) as they are.



Standard



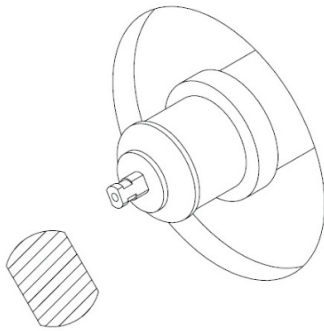
Posi-Temp



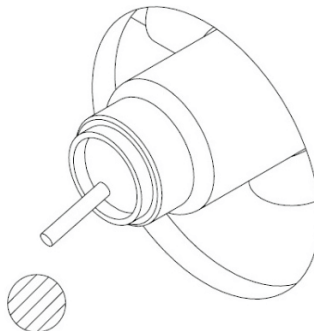
Moentrol

For Delta trim kits with the valve system shown below, please refer to the instructions starting on page 10.

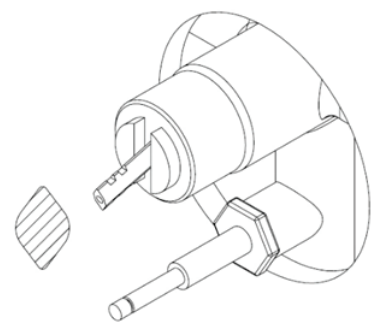
- For Delta trim kits, snap off all mounting ears from Faceplate (C) along the cutline, taking care not to crack or damage the faceplate itself.



Monitor



600 Series Round Stem



600 Series Diamond Stem

Required Tools

- Screwdriver
- Pliers
- Adjustable Wrench

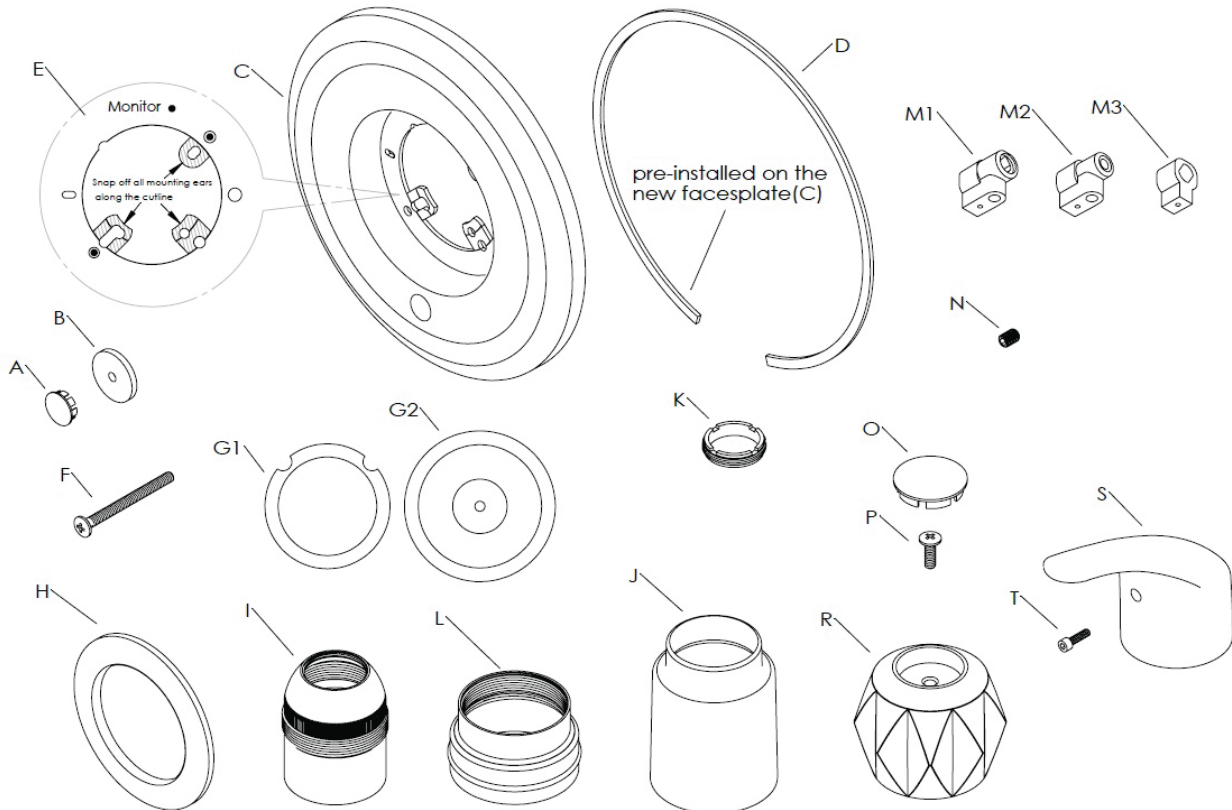
Optional Tools

- Handle Puller

Kit Contents: Parts For Delta®

Part	Description
A	Diverter Plug
B	Diverter Gasket
C	Faceplate
D	Faceplate Foam (pre-installed on the new faceplate (C))
E	Diagram for Delta
F	Faceplate Screw (3/16 in. x 2-1/4 in)
G1	Faceplate Insert Gasket
G2	Faceplate Insert Gasket
H	Faceplate Insert
I	Faucet Bonnet Sleeve
J	Large Sleeve

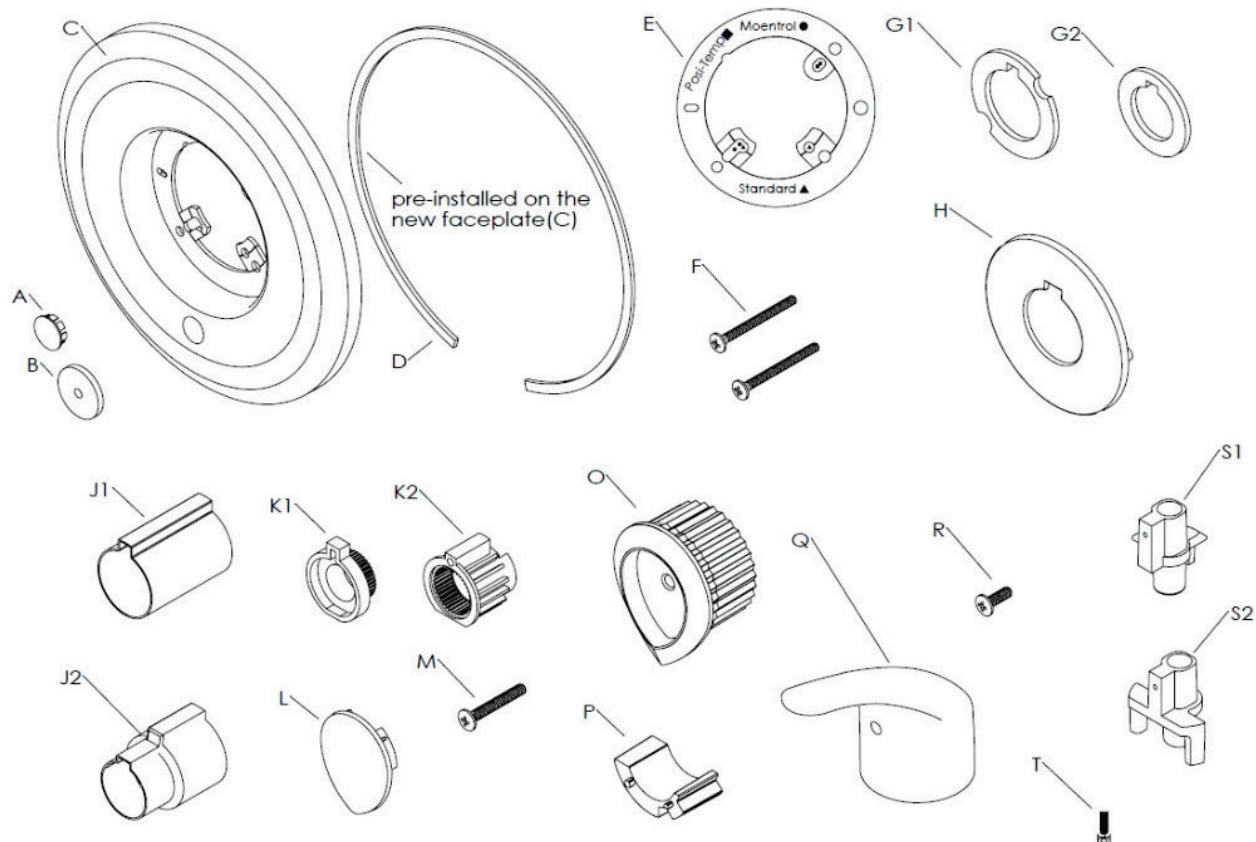
Part	Description
K	Adjusting Ring
L	Retaining Sleeve
M1	Handle Adapter
M2	Handle Adapter
M3	Handle Adapter
N	Set Screw (M6 x 8mm)
O	Index Button
P	Set Screw (#10-24 x 1/2")
R	Acrylic Handle
S	Metal Lever Handle
T	Hex Screw (#6-32 x 1/2")



Kit Contents: Parts For Moen®

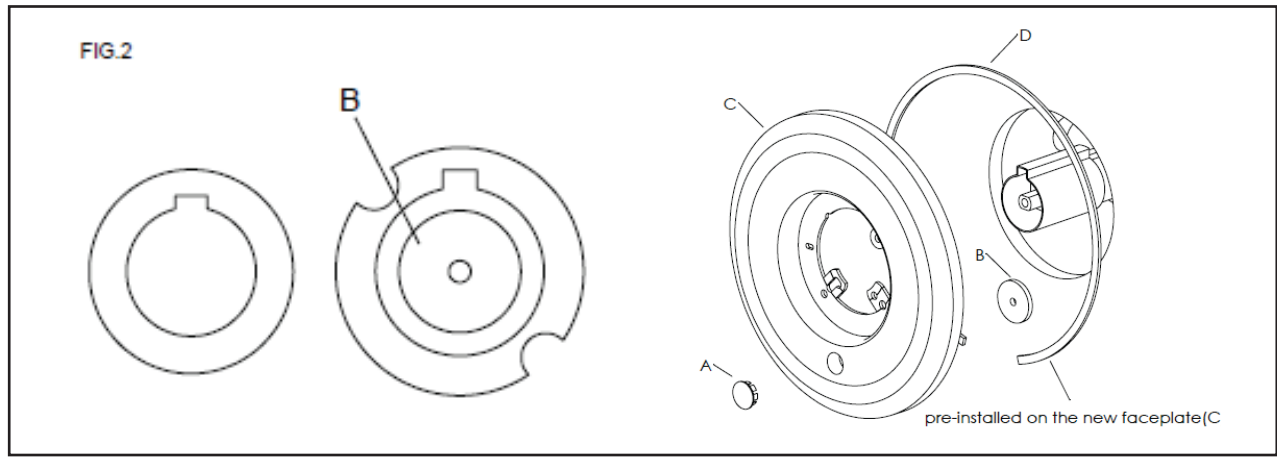
Part	Description
A	Diverter Plug
B	Diverter Gasket
C	Faceplate
D	Faceplate Foam (pre-installed on the new faceplate (C))
E	Diagram for Moen
F	Faceplate Screw (#8-32 x 1-3/4")
G1	Faceplate Insert Gasket
G2	Faceplate Insert Gasket (Smaller Keyhole)
H	Faceplate Insert
I	Faucet Bonnet Sleeve
J1	Large Sleeve

Part	Description
J2	Stepped Sleeve
K1	Bushing Stop
K2	Bushing
L	Index Button
M	Screw (#10-24 x 1-1/4")
O	Acrylic Handle
P	Handle Insert
Q	Metal Lever Handle
R	Screw (#10-24 x 1/2")
S1	Handle Adapter
S2	Handle Adapter
T	Hex Screw (#6-32 x 1/2")



Installation Steps For Moen®

1. Turn off water supply.
2. Remove the handle and old trim by unscrewing the faceplate screws and diverter plug (if present) to reveal the valve.
3. Remove the diverter plug (A) from the new faceplate (C). Adhere the diverter gasket (B) to the back of the new faceplate (C).



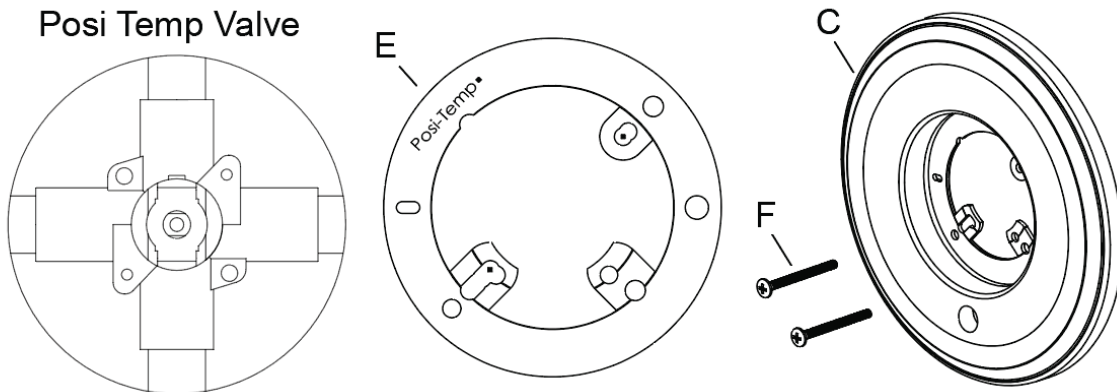
4. Place the new faceplate over the valve.

For Posi Temp (Turn the water on/off by rotating the handle from right to left (counter-clockwise))

Use the diagram (E) provided as guide and secure the faceplate (C) using the two faceplate screws (F) at the two positions. Take caution when placing the screws (F) at the specified positions. Start with the right then secure the left position. **Do not over tighten.**

FIG.3

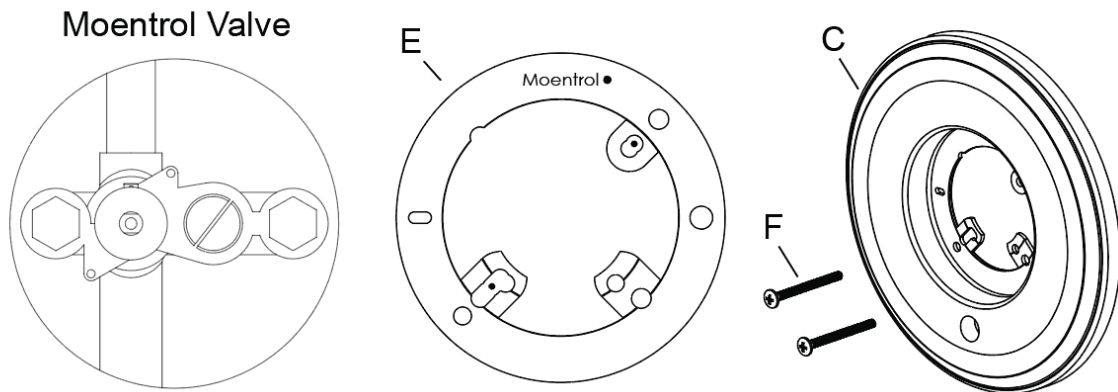
Posi Temp Valve



For Moentrol (Turn the water on/off by pulling the handle and the valve has screws at the one and seven o'clock positions)

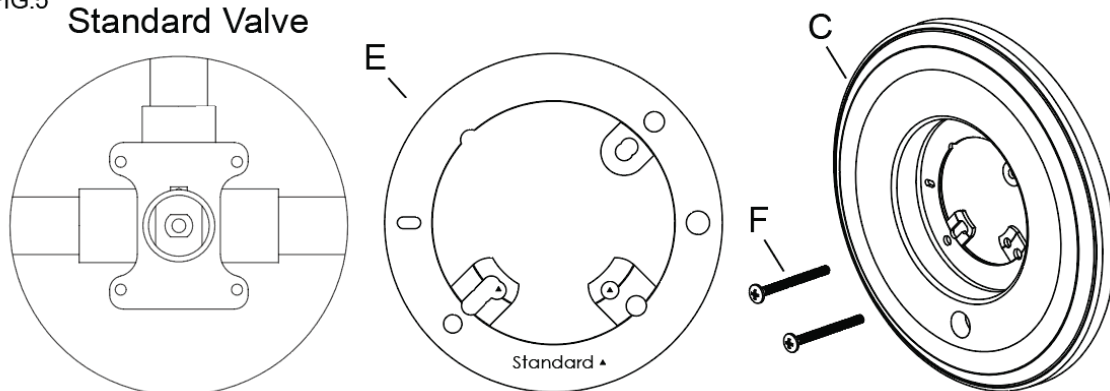
Use the diagram (E) provided as guide and secure the faceplate (C) using the two faceplate screws (F) at the two positions. Take caution when placing the screws (F) at the specified positions. Start with the right then secure the left position. **Do not over tighten.**

FIG.4

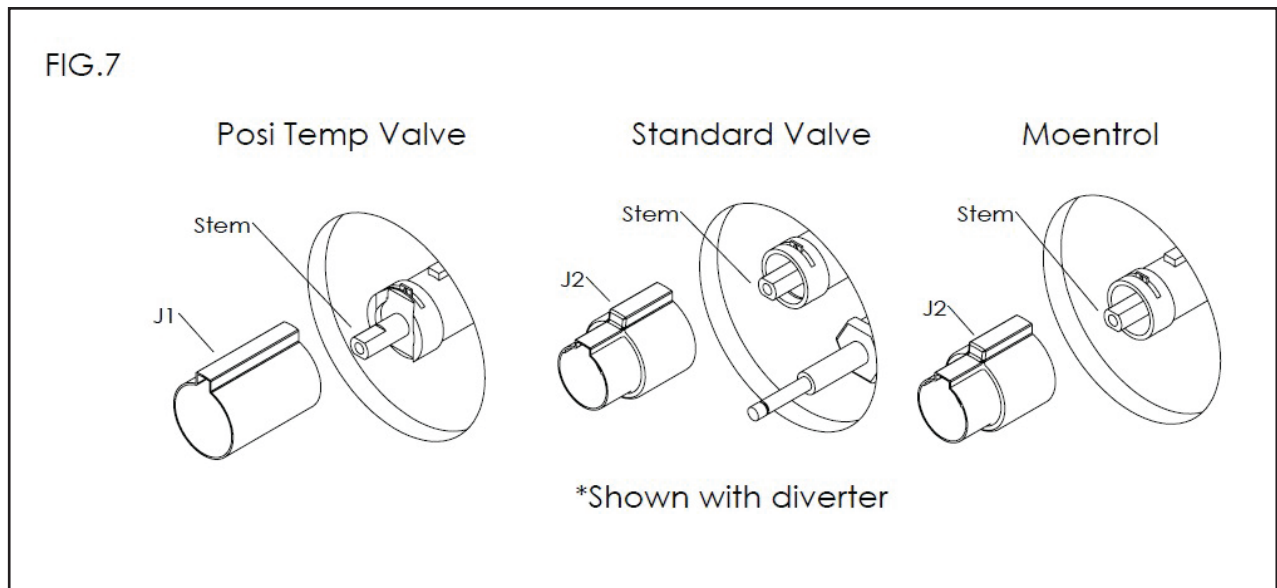
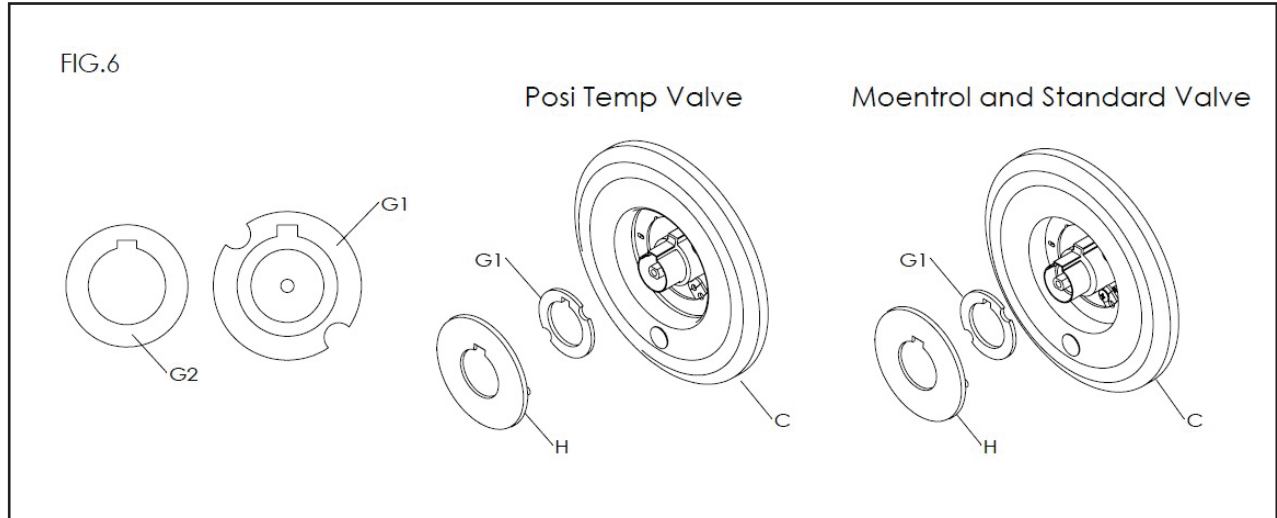
**If you have Standard (Turn the water on/off by pulling the handle and the valve has screws at the five and seven o'clock positions)**

Use the diagram (E) provided as guide and secure the faceplate (C) using the two faceplate screws (F) at the two positions. Take caution when placing the screws (F) at the specified positions. Start with the right then secure the left position. **Do not over tighten.**

FIG.5

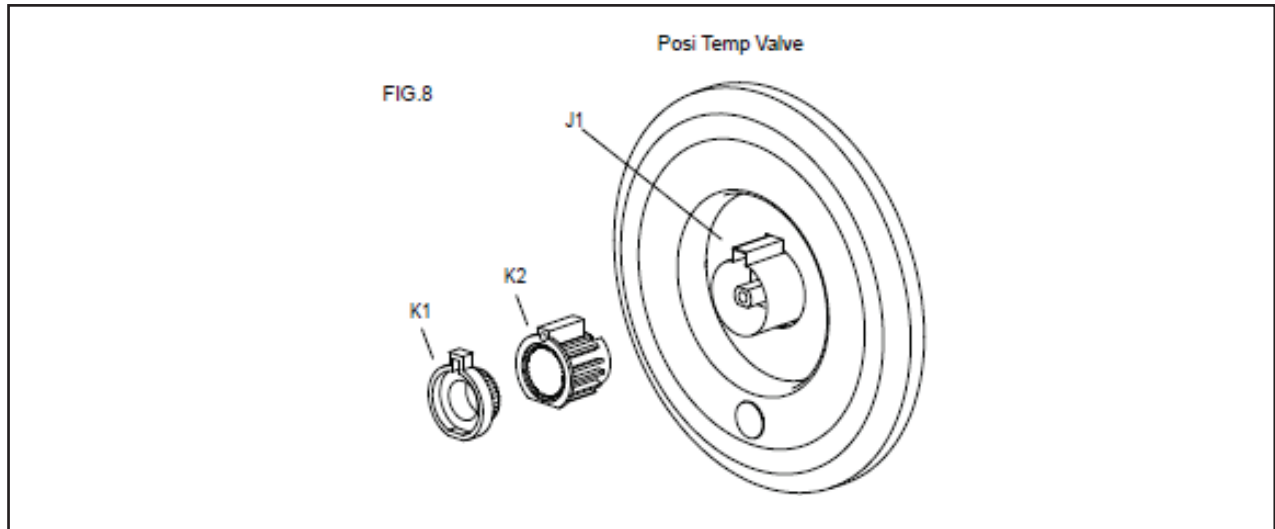


5. Adhere the faceplate insert gasket (G1) to the back of the faceplate insert (H).
Wiggle and snap the faceplate insert (H) into the grooves on the faceplate (C).



6. Slide the new sleeve (J1/J2) over the stem. For J1, locate arrows and make sure they are pointing towards the valve

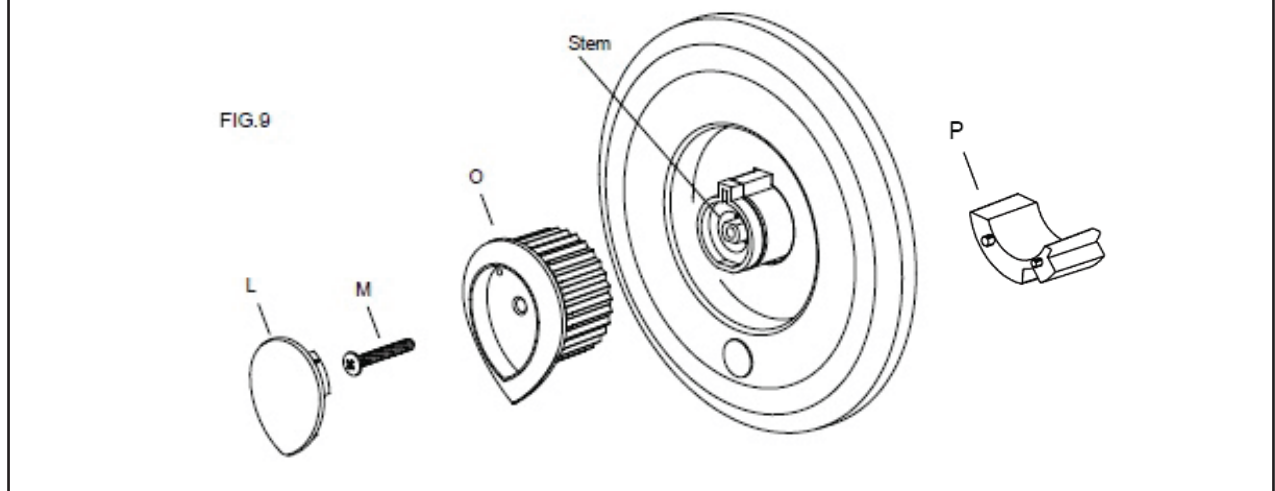
7. For Posi Temp, insert bushing stop (1) and bushing (2) into the sleeve (3). Skip this step for Moentrol & Standard valve. Note: this temperature limit device controls the output of hot water by rotating the stop clockwise then snap into the bushing.



8. Install the handle.

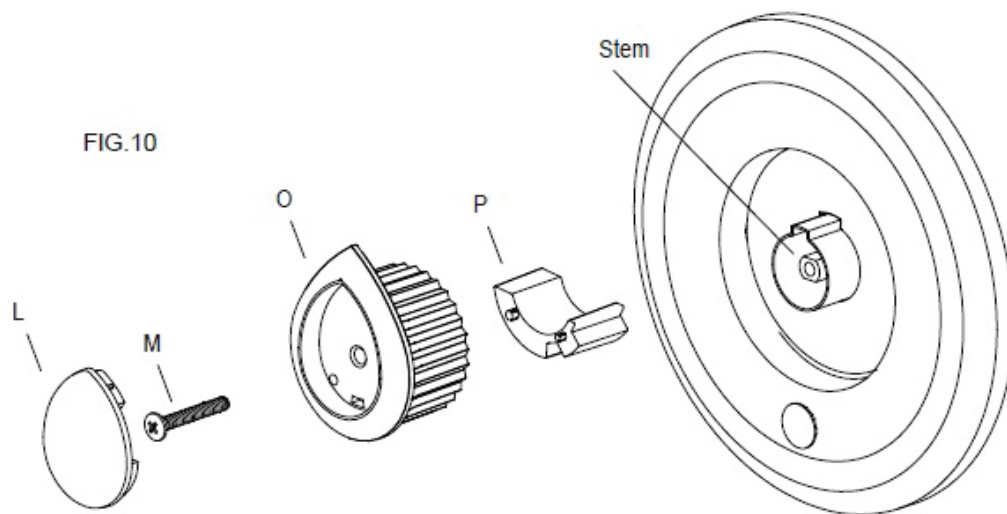
For Acrylic Handle – Posi Temp

1. Remove the index button (L) from the acrylic handle (O).
2. Remove and discard the handle insert (P) from the acrylic handle (O).
3. Place the acrylic handle (O) onto the stem with the acrylic handle (O) pointing downward.
4. Secure the acrylic handle (O) using the mid length screw (M).
5. Snap the index button (L) into the acrylic handle (O).



For Acrylic Handle – Moentrol & Standard

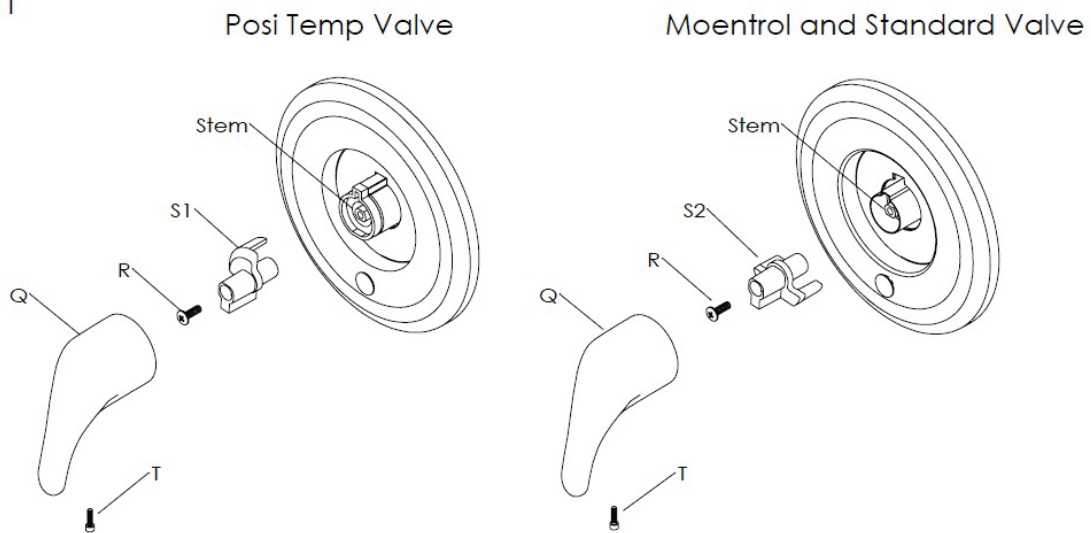
1. Remove the index button (L) from the acrylic handle (O).
2. Check that the handle insert (P) is inside the acrylic handle (O) with the handle insert's (P) base flush against the base of the acrylic handle (O).
3. Place the acrylic handle (O) onto the stem with the acrylic handle (O) pointing upward.
4. Secure the acrylic handle (O) using the mid length screw (M).
5. Snap the index button (L) into the acrylic handle (O).



For Metal Lever Handle

1. Insert the handle adapter (S1/S2) onto the stem with the adapter (S1/S2) pointing downward.
Secure with screw (R).
2. Place the lever handle (Q) onto the adapter (S1/S2) with the lever handle (Q) pointing downward.
3. Insert the hex screw (T) into the underside of the handle (Q) and secure in place.

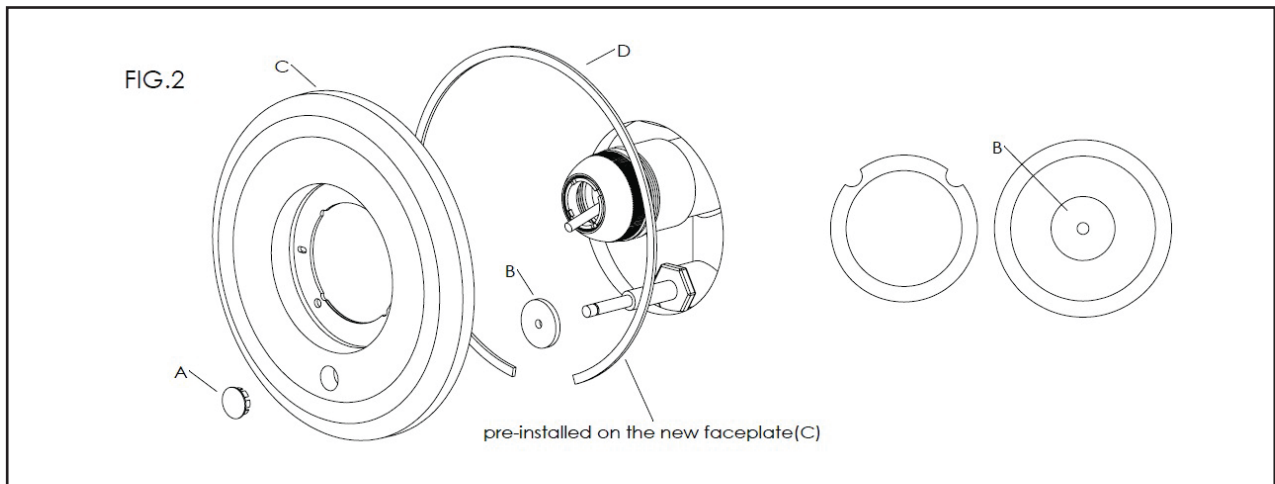
FIG.11



9. Turn on water supply.

Installation Steps For Delta®

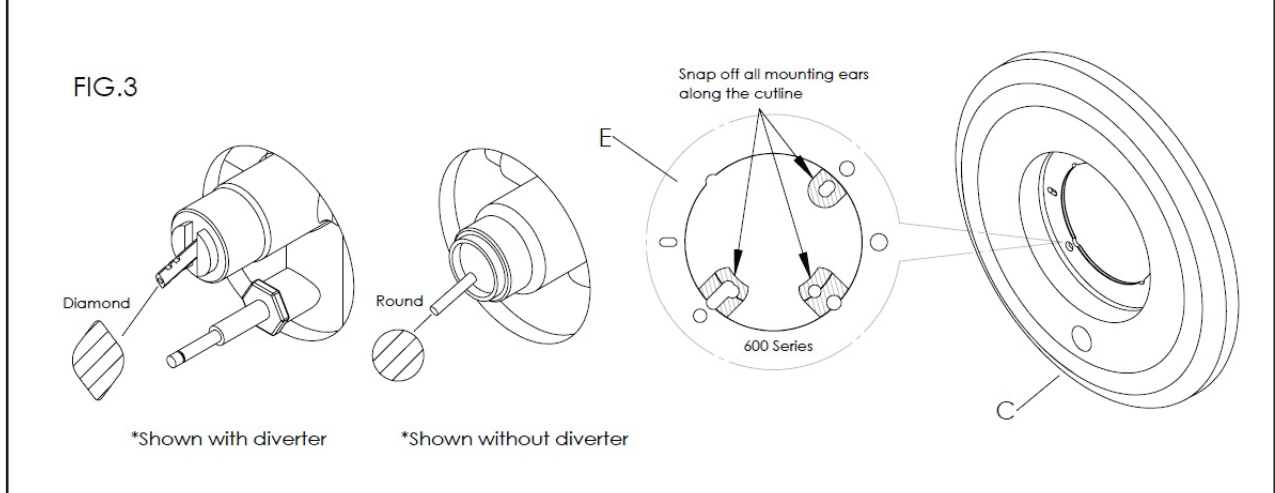
1. Turn off water supply.
2. Remove the handle and old trim by unscrewing the faceplate screws and diverter plug (if present) to reveal the valve.
3. Remove the diverter plug (A) from the new faceplate. Adhere the diverter gasket (B) to the back of the new faceplate (C). Skip this step if a diverter is not used.



4. Place the new faceplate (C) over the valve.

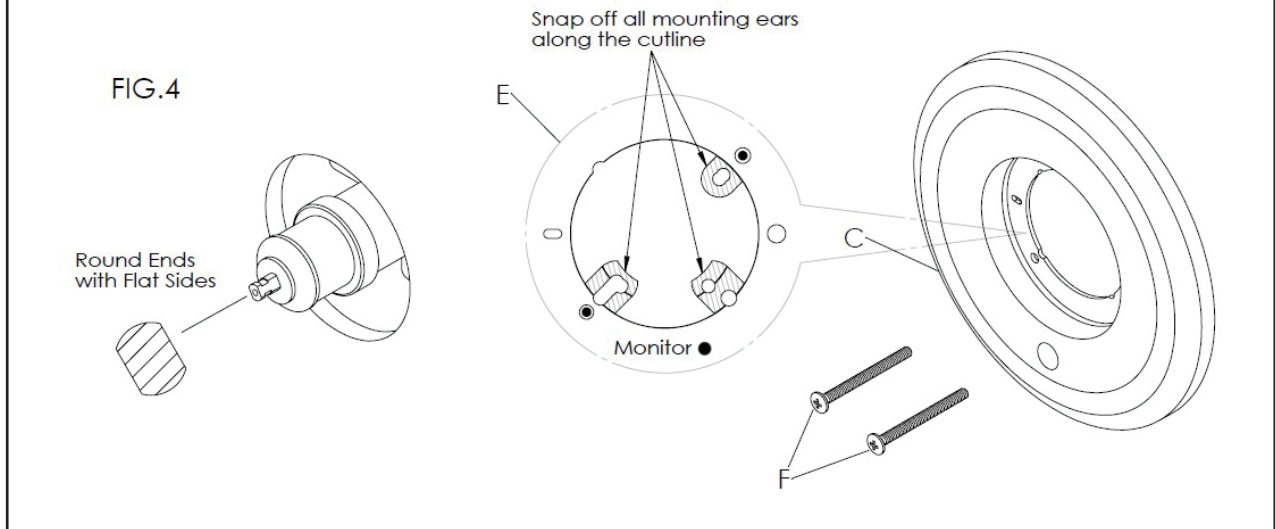
For Delta 600 Series (Diamond or Round Shape Stem)

Use diagram (E) as a guide. You will notice that there is no designated hole for faceplate screw (F), which indicates that for the 600 Series, screws are not required to secure Faceplate (C). As a side note, all mounting ears on Faceplate (C) must be removed for the Delta trim kit.

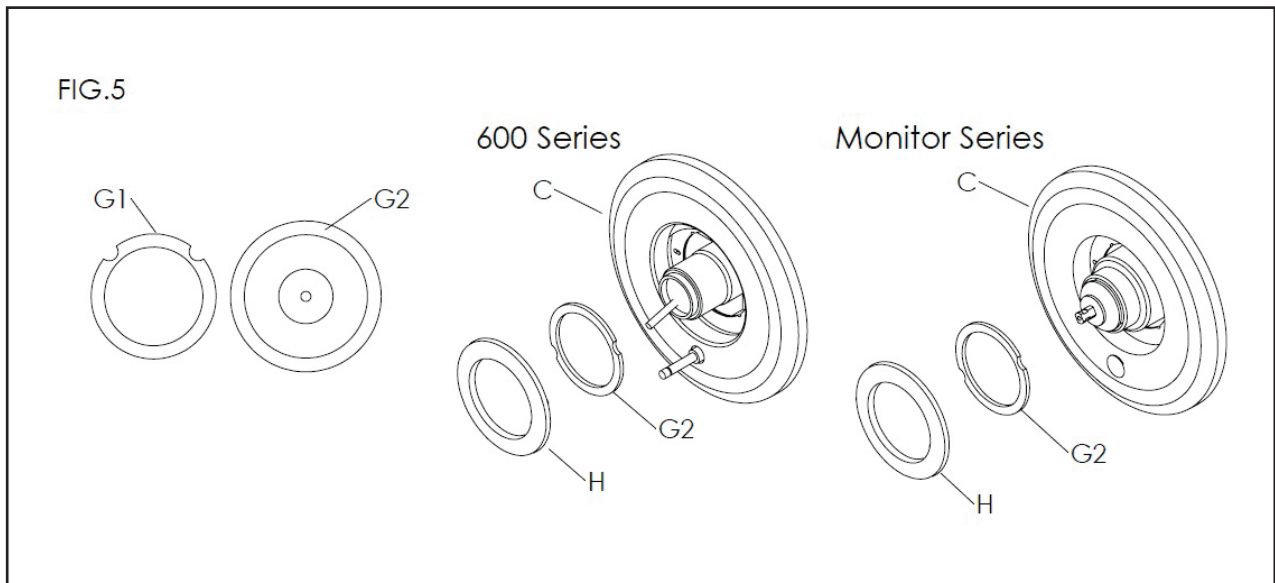


For Delta Monitor Series (Round Ends with Flat Sides)

Snap off all mounting ears from Faceplate (C), taking care not to damage the faceplate itself. Use diagram (E) as a guide and secure Faceplate (C) with the two faceplate screws (F) at the marked ● positions. Take care when installing screws (F): start with the right position, then tighten the left. **Do not over tighten.**

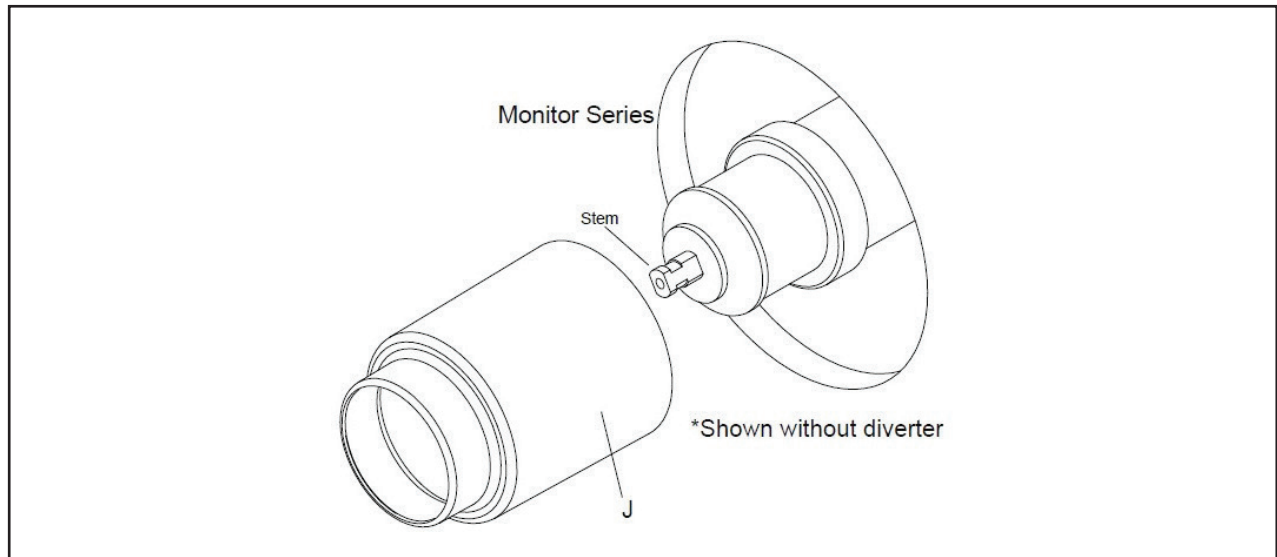


5. According to the series you are using, attach the faceplate insert gasket (G2) to the back of the faceplate insert (H).

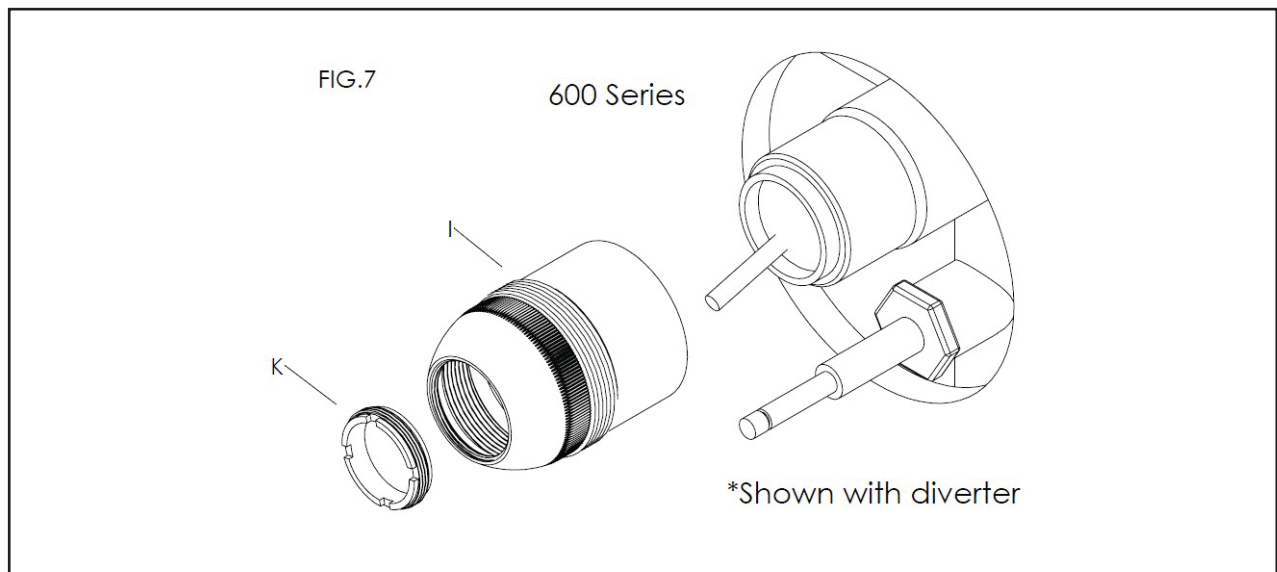


Gently wiggle the faceplate insert (H) into position, then snap it into the grooves on the faceplate (C).

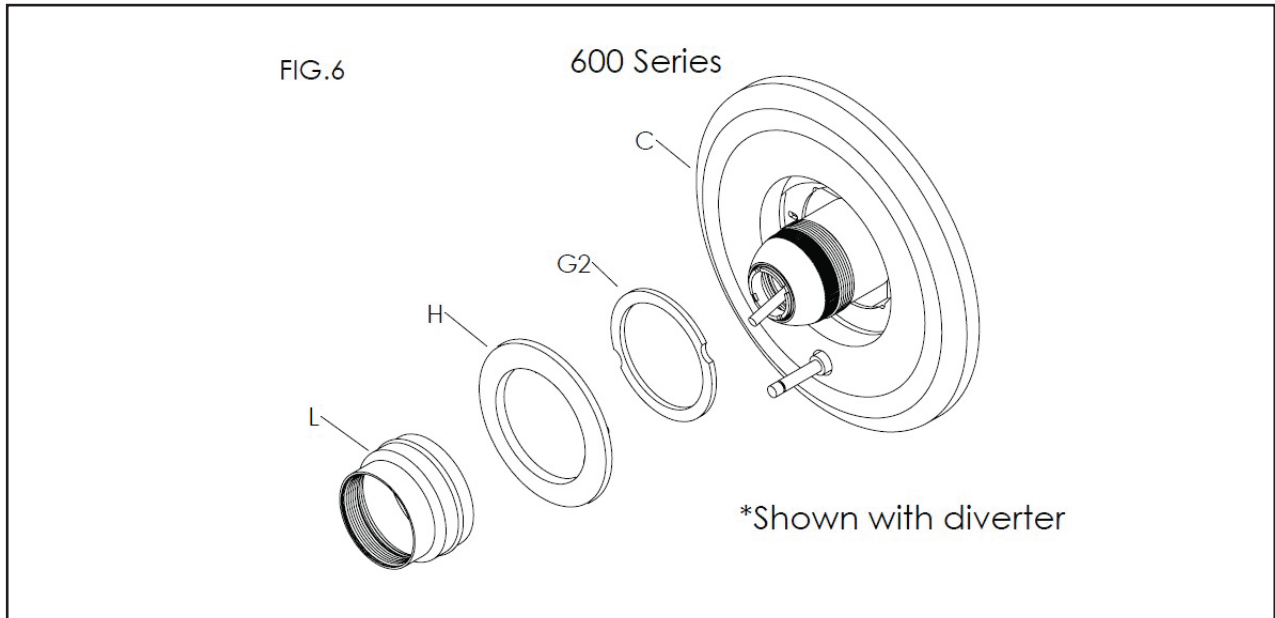
6. For the Monitor Series, slide the new sleeve (J) over the stem.



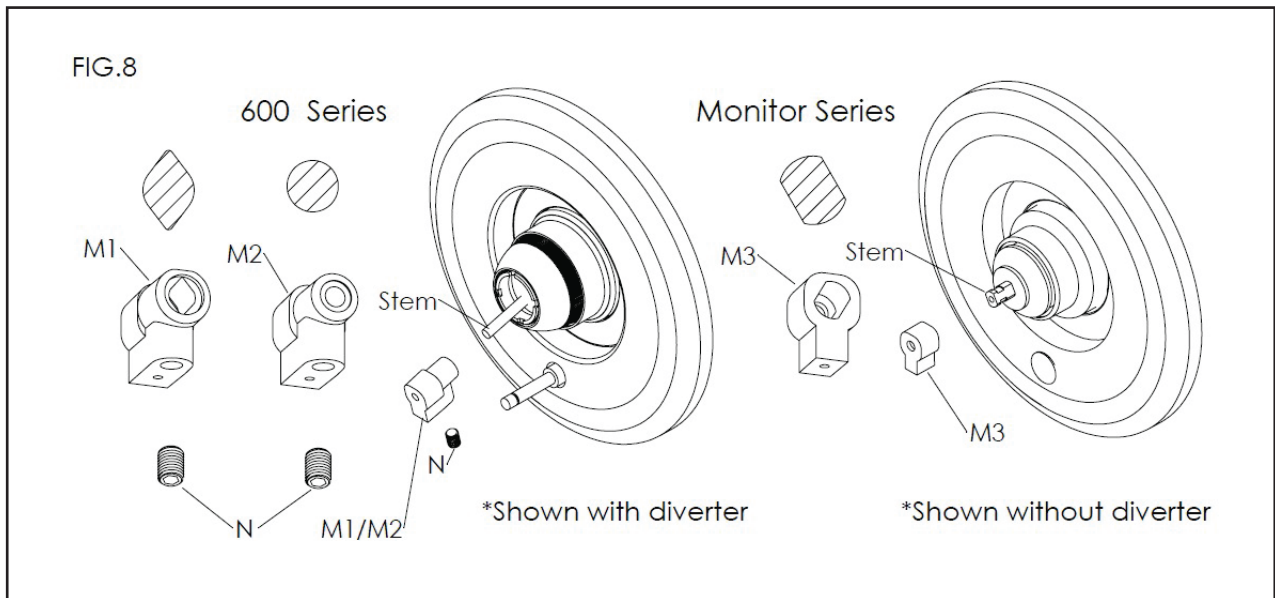
7. For 600 Series, slide the new Faucet Bonnet Sleeve (I) over the stem. Thread the adjusting ring (K) onto the Faucet Bonnet Sleeve (I).



8. For the 600 Series, after installing the Adjusting Ring (K) and the Faucet Bonnet Sleeve (I), thread the Retaining Sleeve (L) onto the Faceplate (C) to press the Faceplate (C) and Faceplate Insert (H) firmly against the wall. Note: Because the Retaining Sleeve (L) holds the Faceplate (C) and Faceplate Insert (H) in place, no faceplate screws are required for the 600 Series.

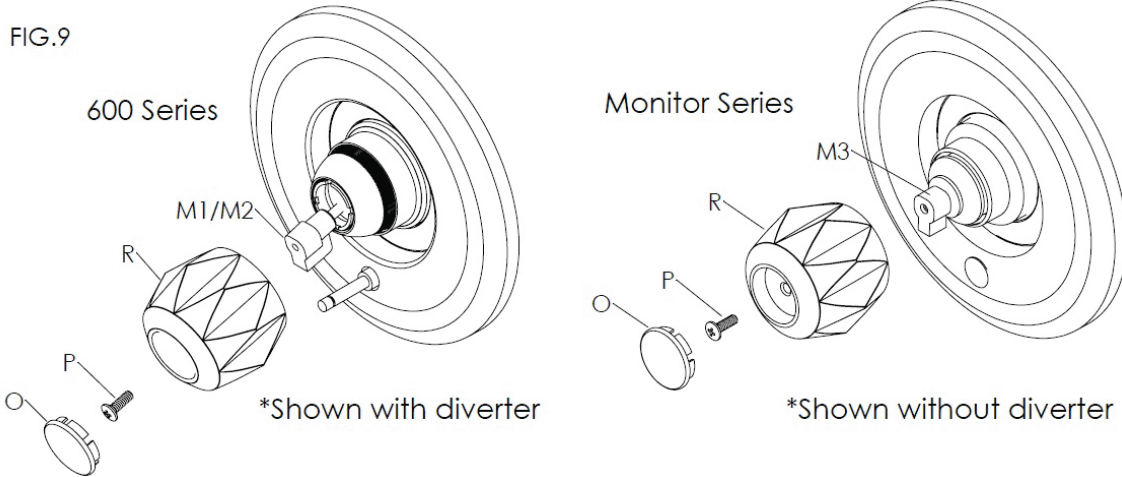


9. Find the matching handle adapter (M1/M2/M3) to the stem. Install the handle adapter (M1/M2/M3) onto the stem and secure with the set screw (N). For the Monitor series (round ends with flat sides), do not secure the handle adapter (M3) with the set screw (N).

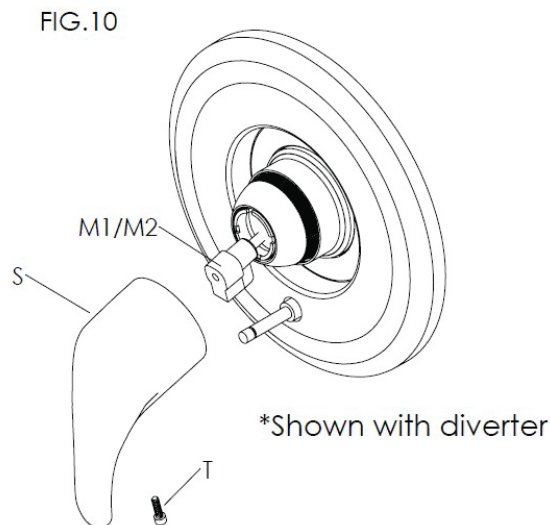


For Acrylic Handle – 600 Series and Monitor Series

1. Slide the acrylic handle (R) onto the handle adapter (M1/M2/M3).
2. Secure with screw (P).
3. Snap the index button (O) into the acrylic handle (R).

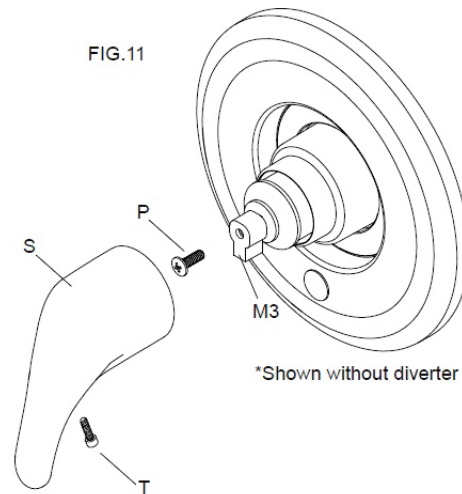
**For Metal Lever Handle – 600 Series**

1. Slide the metal lever handle (S) onto the handle adapter (M1/M2) with the metal lever handle (S) pointing downward.
2. Secure the lever handle (S) onto the handle adapter (M1/M2) with the hex screw (T) from the underside of the handle.



For Metal Lever Handle – Monitor Series

1. Secure the handle adapter (M3) to the stem using the screw (P).
2. Slide the metal lever handle (S) onto the handle adapter (M3) with the lever handle (S) pointing downward.
3. Secure the lever handle (S) onto the handle adapter (M3) with the hex screw (T) from the underside of the handle.



11. Turn on water supply.

**NOT MANUFACTURED BY OR CONNECTED WITH THE PRODUCER OF DELTA®
OR MOEN® BATHROOM AND KITCHEN FIXTURES.**